

# astra telematics

## AT400 Vehicle Tracking Device



Low power consumption



Internal 510mAh battery



IP65 waterproof



up to 65V operation



microSIM



GSM / GPRS 5-BAND



MEMS accelerometer



Internal antennas



CANBus



BLE 4.2 option



GPS, GALILEO, GLONASS & BeiDou



SDK available



5 year warranty



FOTA  
Firmware update  
Over-the-air



2 digital inputs  
2 digital outputs



Dallas 1-wire

## Technical Specifications

---

### GSM/GPRS Communication

Communications Module:	Quectel M66FA
GSM/GPRS Frequency Bands:	850/900/1800/1900 MHz
GSM Antenna:	Internal PIFA PCB trace
Data Transfer Modes:	GPRS (TCP or UDP)

---

### GNSS Location

GPS Antenna:	Internal 15 x 15 x 4mm ceramic patch
GPS Receiver:	ublox SAM-M8Q
L1 Receiver:	72 channels
Position Accuracy:	2.5m CEP
Receiver Sensitivity:	-165dBm (GPS + GLONASS, tracking & navigation)
TTF: Cold start	26 sec
Hot start	1 sec

---

### BLE 4.2 (option)

BLE Module:	Silicon Labs BGM123
TX Power:	+3dBm
Sensitivity:	-90dBm
Bluetooth Compliance:	4.2 and earlier

---

### Power

External Voltage Source:	5 – 60 VDC
Internal Battery:	3.7V, 510mAh
Battery Life:	8 hours continuous operation 4 days operation in low-power mode @ hourly update 5 days operation in low-power mode @ daily update
Current Consumption, max:	300mA @ 13.8 VDC (battery charging at max. rate)
Current consumption, average:	25mA @ 13.8 VDC (typical)
Current consumption, sleep:	< 100uA

---

### Features

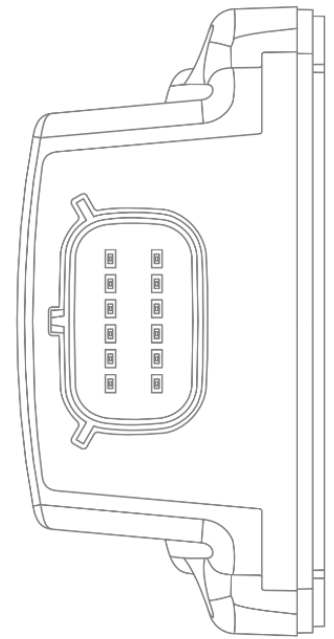
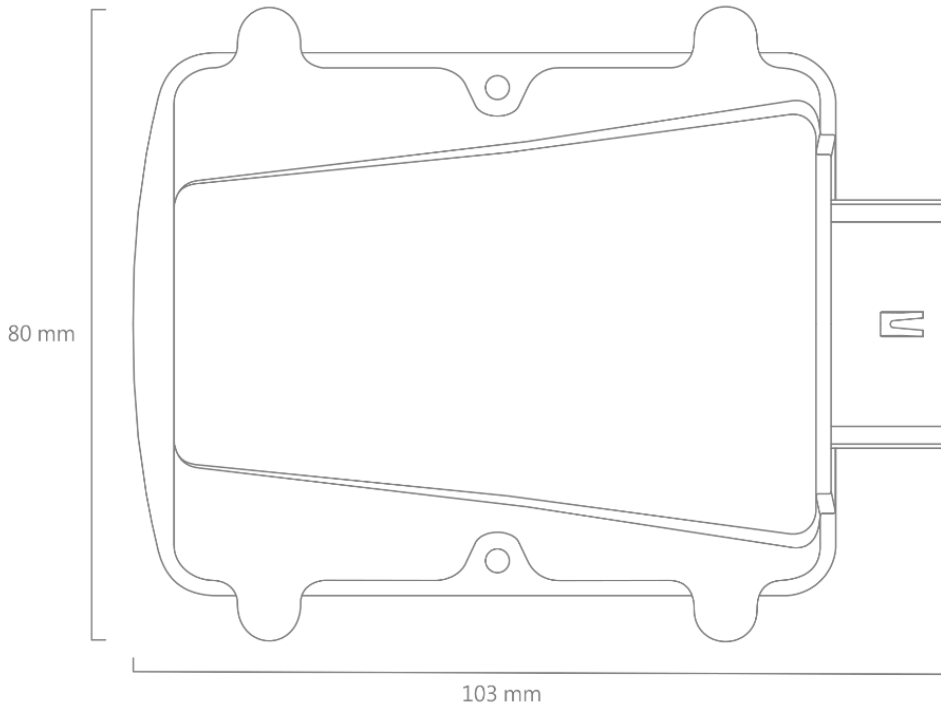
Configuration:	Astra Generic Configuration commands over SMS / TCP
Firmware update:	Supports Firmware Update Over-The-Air (FOTA)
Memory:	Total 1024k on-board non-volatile flash memory
Report storage:	8000 reports
Communication Protocol:	Astra Telematics Modular Protocol X TCP / UDP sockets with optional MQTT authentication / encryption

---

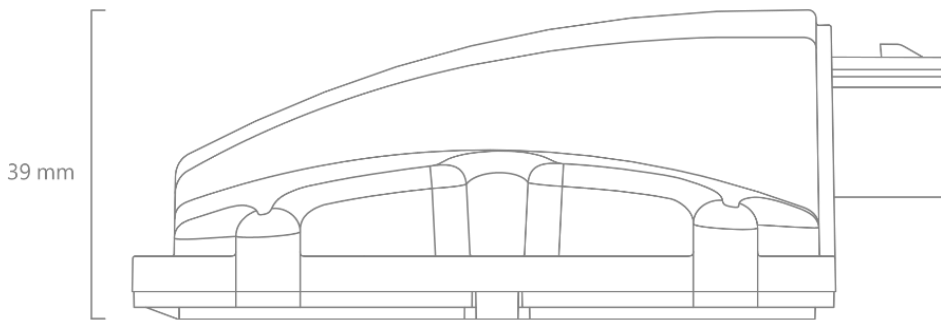
Interconnections	2 digital pull-up inputs 2 digital outputs, 60V, 0.5A Maximum (MOSFET open drain) 1-wire (dallas) CANBus / FMS 2.0 / OBD2 1 RS232 serial port
SIM:	micro SIM (3FF), push-push style
POWER & DATA:	Molex MX120G (12 pin)

Weight  
Dimensions

80g  
103 x 80 x 39 mm



[ACTUAL SIZE]



## ENVIRONMENTAL

### Temperature:

Operating

-20 to +85°C

(note: battery charging is suspended at higher temps)

Storage

-30 to +85°C

### Product Approvals:

RED 2014 / 53 / EU  
E11\*10R05/01\*11178\*00

Note: Specifications may change without notice.