

AT405 GPRS / LPWA / GNSS / BLE Tracking Device



Low power consumption



Internal 510mAh battery



IP65 waterproof



up to 65V operation



microSIM



LTE Cat 1 comms



MEMS accelerometer



Internal antennas



CANBus



BLE 4.2



GPS, GALILEO, GLONASS & BeiDou



SDK available



5 year warranty



FOTA
Firmware update
Over-the-Air



2 digital inputs
2 digital outputs



Dallas 1-wire

Technical Specifications

LTE Communication

Communications Module:	Quectel EG800Q
LTE Cat 1 Frequency Bands:	B1/B3/B5/B7/B8/B20/B28
LTE Antenna:	Internal PIFA PCB trace
Data Transfer Modes:	TCP or UDP

GNSS Location

GNSS Antenna:	Internal 15 x 15 x 4mm ceramic patch
GNSS Receiver:	Quectel LC86L
L1/B1 Receiver:	GPS L1 C/A: 1574.397–1576.443 MHz GLONASS L1: 1597.781–1605.656 MHz BeiDou B1 C/A: 1559.052–1563.144 MHz
Position Accuracy:	< 2.5m CEP @ -130dBm
Receiver Sensitivity:	-166dBm (GPS + GLONASS, tracking & navigation)
TTF: Cold start	< 15 sec (average) @ -130 dBm
Hot start	< 2 s (average) @ -130 dBm

BLE 4.2

BLE Module:	Silicon Labs BGM123
TX Power:	+3dBm
Sensitivity:	-90dBm
Bluetooth Compliance:	4.2 and earlier

Power

External Voltage Source:	5 – 60 VDC (65V absolute maximum)
Internal Battery:	3.7V, 510mAh
Battery Life:	9 hours continuous operation 12 days operation in low-power mode @ hourly update 30 days operation in low-power mode @ daily update
Current Consumption, max:	400mA @ 13.8 VDC (battery charging at max. rate)
Current consumption, average:	35mA @ 13.8 VDC 25mA @ 27.6 VDC
Current consumption, sleep:	< 100uA

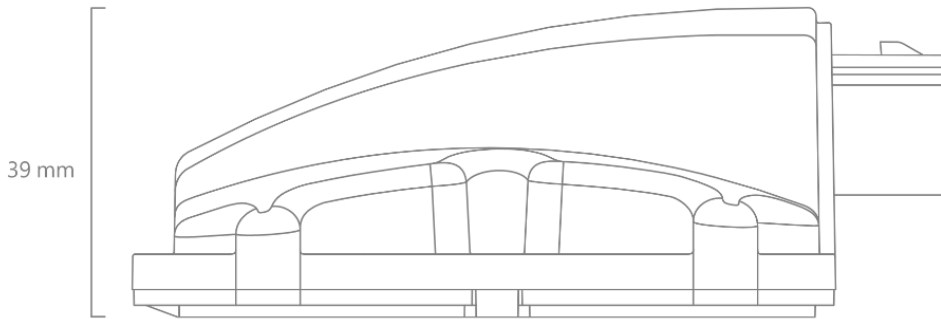
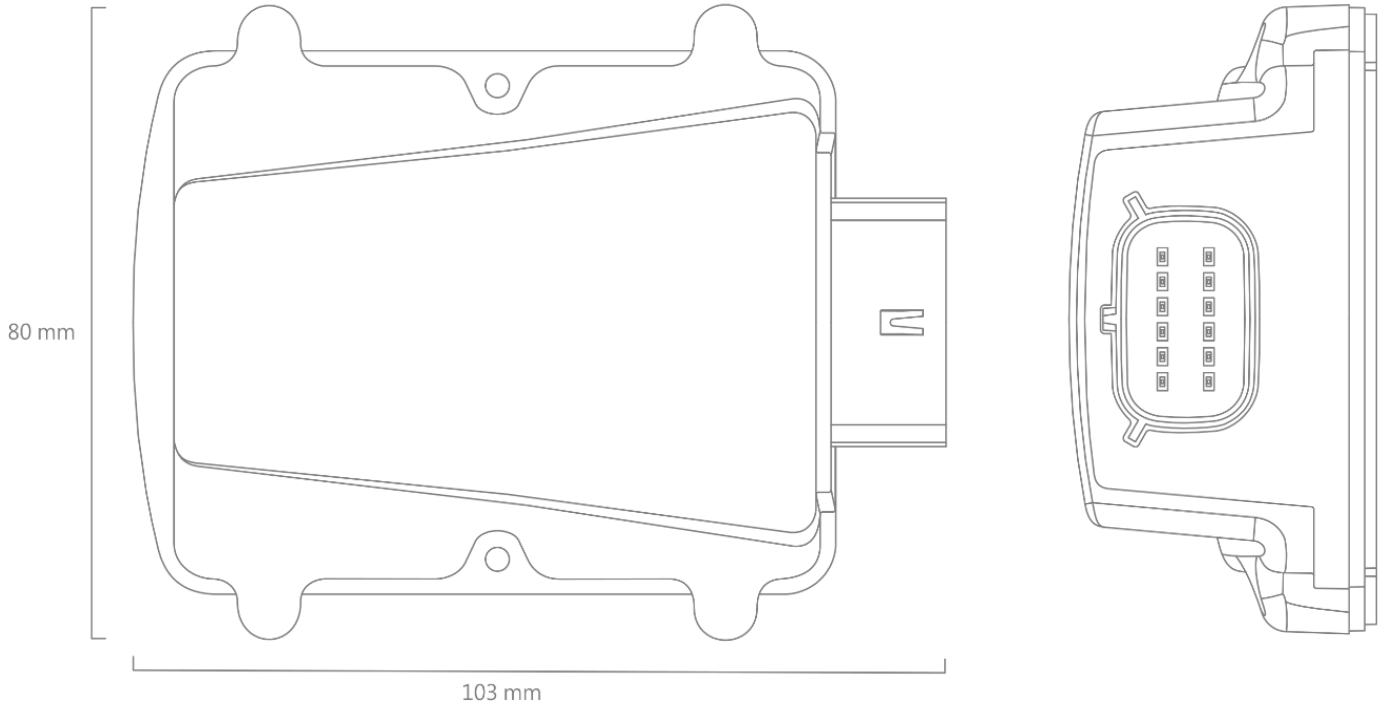
Features

Configuration:	Astra Generic Configuration commands over SMS / TCP
Firmware update:	Supports Firmware Update Over-The-Air (FOTA)
Memory:	Total 1024k on-board non-volatile flash memory
Report storage:	6000 reports
Communication Protocol:	Astra Telematics Modular Protocol X TCP / UDP sockets

Interconnections

	2 digital pull-up inputs 2 digital outputs, 60V, 0.5A Maximum (MOSFET open drain) 1-wire (dallas) CANBus / FMS 2.0 / OBD2 1 RS232 serial port
SIM:	micro SIM (3FF), push-push style
POWER & DATA:	Molex MX120G (12 pin)

Weight 80g
Dimensions 103 x 80 x 39 mm



ENVIRONMENTAL

Temperature:
Operating -20 to +85°C (note: battery charging is suspended at higher temps)
Storage -30 to +85°C

Product Approvals: RED 2014 / 53 / EU
E11*10R06/01* TBA *00

Note: Specifications may change without notice.